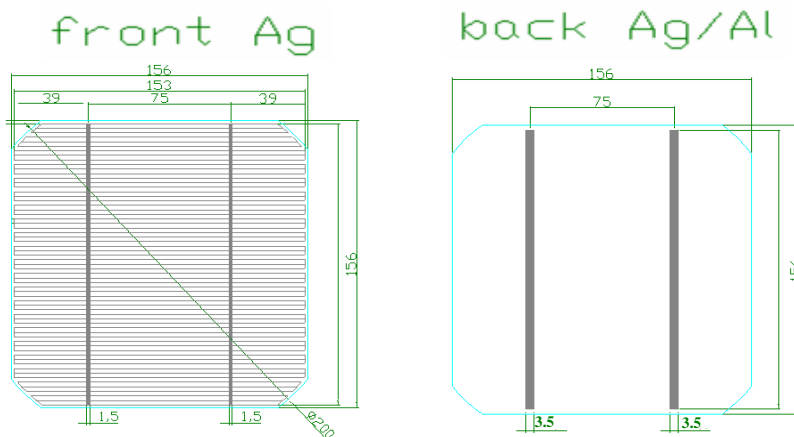


Type	6" monocrystalline cell
Dimension	156 mm × 156 mm ± 0.5 mm
Thickness	≥ 190 μ m
Front Side	Silicon nitride anti-reflection-field. 1.5 mm silver busbar
Back Side	Full surface aluminum back-surface-field. 3.5mm (silver/aluminum) continuous soldering pads

Model	Efficiency	Power	Maximum power current	Maximum power voltage	Short circuit current	Open circuit voltage
	Eff (%)	Ppm (W)	Ipm (A)	Vpm (V)	Isc (A)	Voc (V)
TS-156-140	14.0-15.0	3.46	7.11	0.487	7.69	0.602
TS-156-150	15.0-15.2	3.58	7.32	0.495	7.81	0.607
TS-156-152	15.2-15.4	3.63	7.36	0.498	7.88	0.609
TS-156-154	15.4-15.6	3.68	7.41	0.500	7.93	0.611
TS-156-156	15.6-15.8	3.73	7.51	0.502	7.96	0.613
TS-156-158	15.8-16.0	3.77	7.56	0.504	8.01	0.615
TS-156-160	16.0-16.2	3.82	7.63	0.506	8.07	0.617
TS-156-162	16.2-16.4	3.87	7.68	0.508	8.12	0.619
TS-156-164	16.4-16.6	3.92	7.76	0.509	8.18	0.620
TS-156-166	16.6-16.8	3.97	7.84	0.510	8.27	0.621
TS-156-168	16.8-17.0	4.01	7.89	0.512	8.33	0.622
TS-156-170	17.0-17.2	4.06	7.91	0.513	8.40	0.623
TS-156-172	17.2-17.4	4.12	8.02	0.514	8.47	0.624
TS-156-174	17.4-17.6	4.17	8.10	0.515	8.54	0.625
TS-156-176	17.6-17.8	4.22	8.16	0.516	8.60	0.626
TS-156-178	17.8-18.0	4.27	8.26	0.517	8.67	0.627

* Under standard test condition : 1000 W/m², AM 1.5 G 25°C



Ver. E

Top Green Energy Technologies Inc.
NO.330 , Hsing Rd. Jhunan Towership ,
Miaoli Country 350 , Taiwan (R.O.C)
TEL : 886-37-580011 FAX :886-37-581200
E-mail: sales@tgenergy.com.tw
<http://www.tgenergy.com.tw/>